

Bemærk:

- Montering af armatur og evt. servicering af LED komponenter, må kun udføres af en kvalificeret person.
- Under hele armatur installationsprocessen skal armaturet altid være i spændingsløs tilstand.
- Sikre dig altid at armaturet er i spændingsløs tilstand, før der åbnes for armaturet ved udførsel af service.
- Ikke-brugerudskiftelig lyskilde: Lyskilden i dette armatur må kun udskiftes af producenten, dennes serviceværksted eller af en tilsvarende kvalificeret person.
- " ESD følsom elektronik " undgå alt unødvendig berøring af LED paneler og LED drivere. ⚡
- Optiske linser samt andre former for optik, gitter og covers, skal altid være monteret når armaturet er i drift.
- Armaturer med DALI driver, skal være tilsluttet en god og aktiv jordforbindelse.

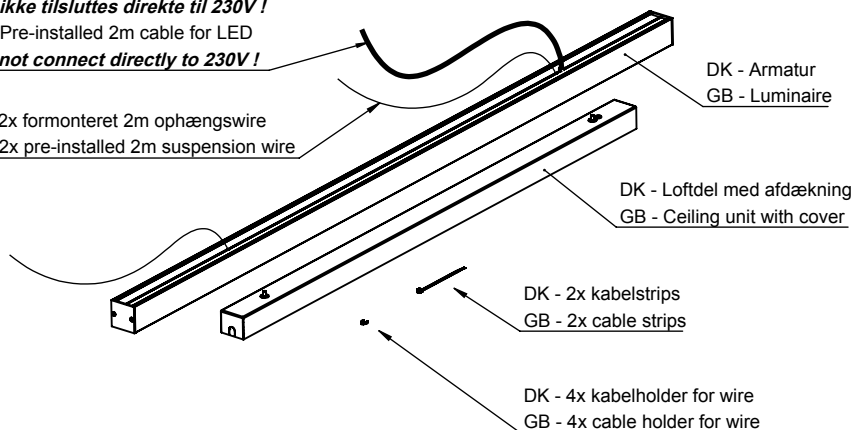
Attention:

- Installation of luminaire and servicing of LED components, may only be performed by an qualified person.
- During the complete luminaire installation process, the luminaire must always be without power.
- Always power off luminaire before opening or accessing any part of the luminaire during service routines.
- Non-user replaceable lightsource: The lightsource contained in this luminaire shall only be replaced by the manufacturer, or his service agent or a similar qualified person.
- " ESD sensitive components " avoid unnecessary touching LED boards and LED drivers. ⚡
- Optical lenses and other forms of optics and grids, must always be mounted when luminaire is in operation.
- Luminaire with DALI driver must have a good active ground/earth connection.

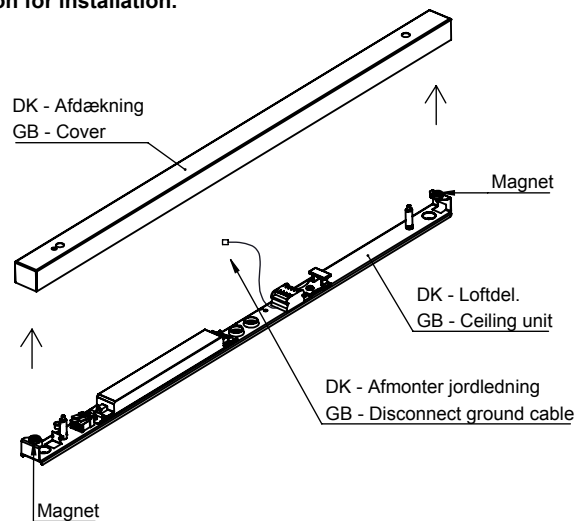
1 **DK - Indhold af pakken.
 GB - Content of package.**

DK - Formonteret 2m kabel for LED
! Må ikke tilsluttes direkte til 230V !
 GB - Pre-installed 2m cable for LED
! Do not connect directly to 230V !

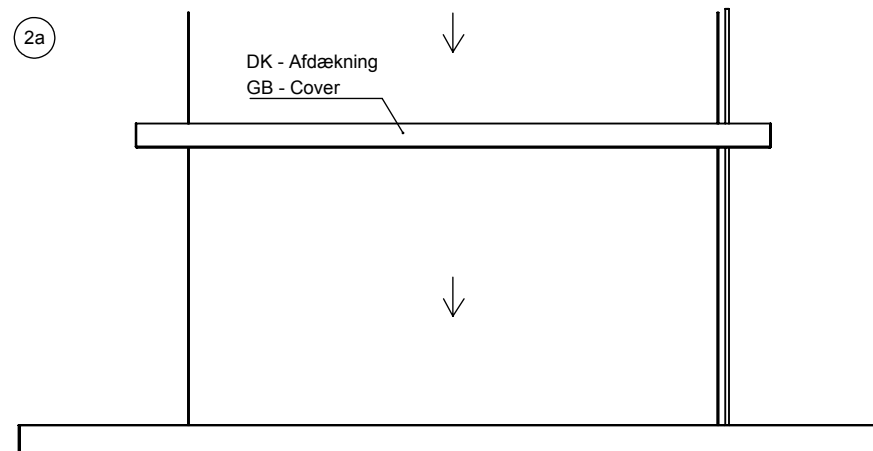
DK - 2x formonteret 2m ophængswire
 GB - 2x pre-installed 2m suspension wire



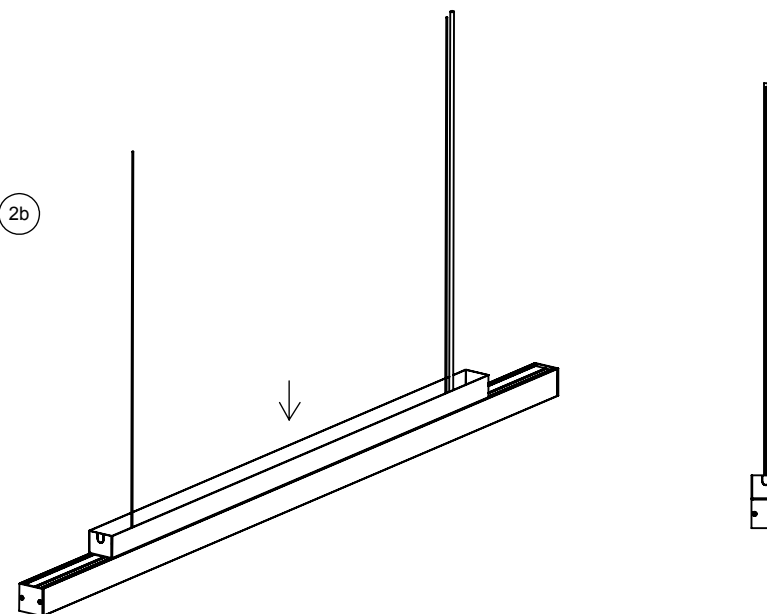
2 **DK - Forberedelse til montage.
 GB - Preparation for installation.**



2a



2b



Bemærk:

- Montering af armatur og evt. servicering af LED komponenter, må kun udføres af en kvalificeret person.
- Under hele armatur installationsprocessen skal armaturet altid være i spændingsløs tilstand.
- Sikre dig altid at armaturet er i spændingsløs tilstand, før der åbnes for armaturet ved udførsel af service.
- Ikke-brugerudskiftelig lyskilde: Lyskilden i dette armatur må kun udskiftes af producenten, dennes serviceværksted eller af en tilsvarende kvalificeret person.
- " ESD følsom elektronik " undgå alt unødvendig berøring af LED paneler og LED drivere.
- Optiske linser samt andre former for optik, gitre og covers, skal altid være monteret når armaturet er i drift.
- Armaturer med DALI driver, skal være tilsluttet en god og aktiv jordforbindelse.

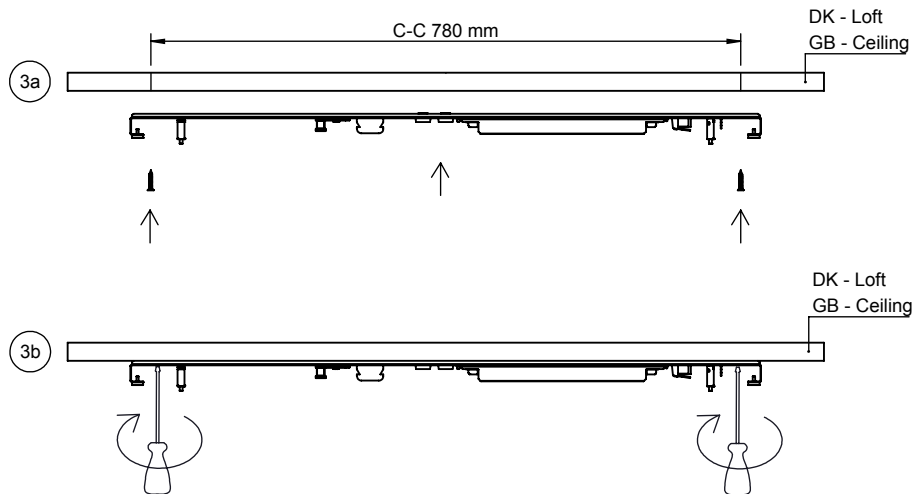


Attention:

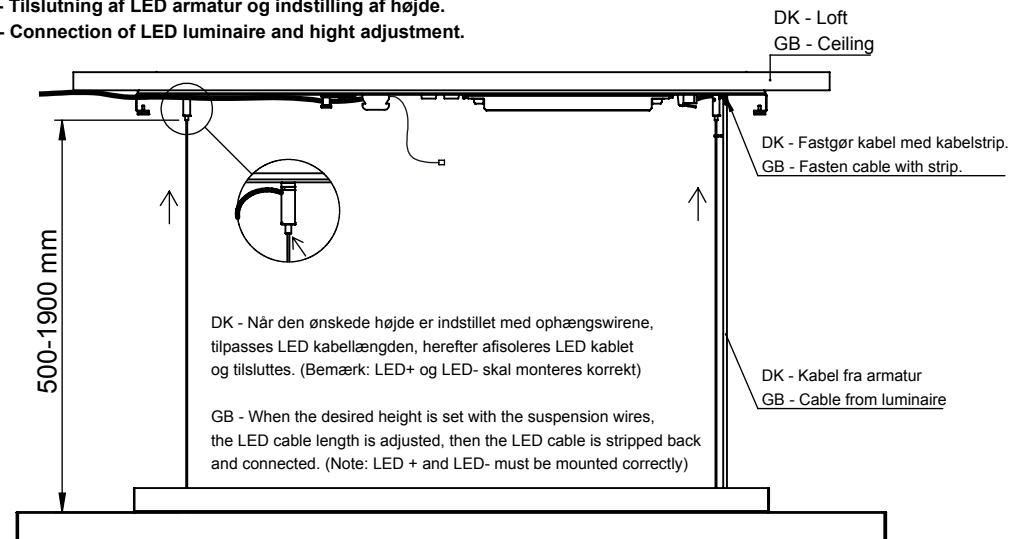
- Installation of luminaire and servicing of LED components, may only be performed by an qualified person.
- During the complete luminaire installation process, the luminaire must always be without power.
- Always power off luminaire before opening or accessing any part of the luminaire during service routines.
- Non-user replaceable lightsource: The lightsource contained in this luminaire shall only be replaced by the manufacturer, or his service agent or a similar qualified person.
- " ESD sensitive components " avoid unnecessary touching LED boards and LED drivers.
- Optical lenses and other forms of optics and grids, must always be mounted when luminaire is in operation.
- Luminaire with DALI driver must have a good active ground/earth connection.



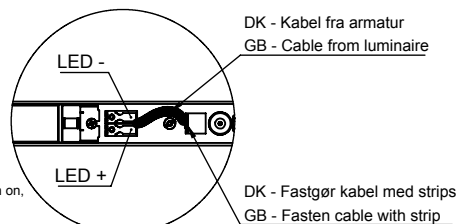
**3 DK - Montage af loftdel
 GB - Installation ceiling unit.**



**4 DK - Tilslutning af LED armatur og indstilling af højde.
 GB - Connection of LED luminaire and hight adjustment.**

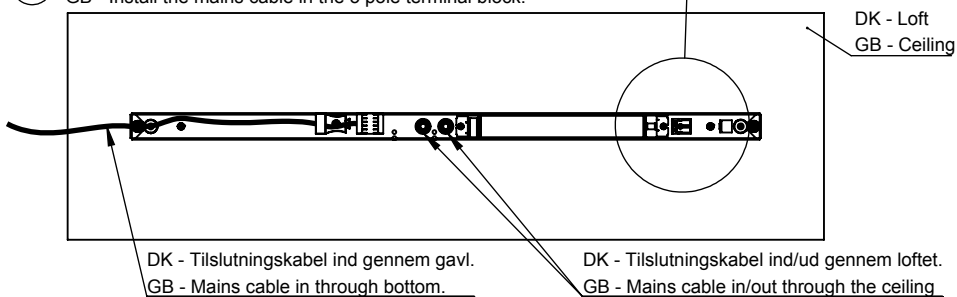


4.1 DK - Ledning fra LED armatur der er mærket med + monteres i + på den 2 poled indstiksklemme. (I tilfælde af at LED +/- monteres forkert og armaturet ikke tænder, skal armaturet slukkes i 5 sekunder og herefter tændes igen).



GB - The wire from LED luminaire marked with + must be connected to + on the 2 pole terminal block (In case LED +/- is incorrectly installed and the fixture does not turn on, it must be switched off for 5 seconds and then switched on again).

**3c DK - Monter tilslutningskabel i den 5 poled klemrække.
 GB - Install the mains cable in the 5 pole terminal block.**



**5 DK - Skub afdækningen op på plads og monter wire kabelholdere.
 GB - Slide the cover up and mount wire cable holders.**

